

Date: _____

Toll free FAX 1-866-700-7837



PHONE toll free 1-877-462-0711

17530 Dugdale Drive • South Bend, IN 46635

Shipping Options for Continental U.S. (Circle one)

- 1. UPS Ground: No Charge
- 2. 2nd day by Noon: \$17.00
- 3. Next day by 10:30am: \$35.00

Patient Information (please print clearly)

Last Name _____

First Name _____

Birth Date _____ Weight _____

Diagnosis _____ Sex M / F

Shipping & Billing Information

Company Name _____

Contact _____

Billing Address _____

City _____ ST _____ Zip _____

Shipping Address _____

City _____ ST _____ Zip _____

Phone _____

Fax # _____

E-Mail _____

P.O. Number _____

Has pt. worn SureStep TLSO before? Y N

How do you prefer to receive your order confirmation?

FAX

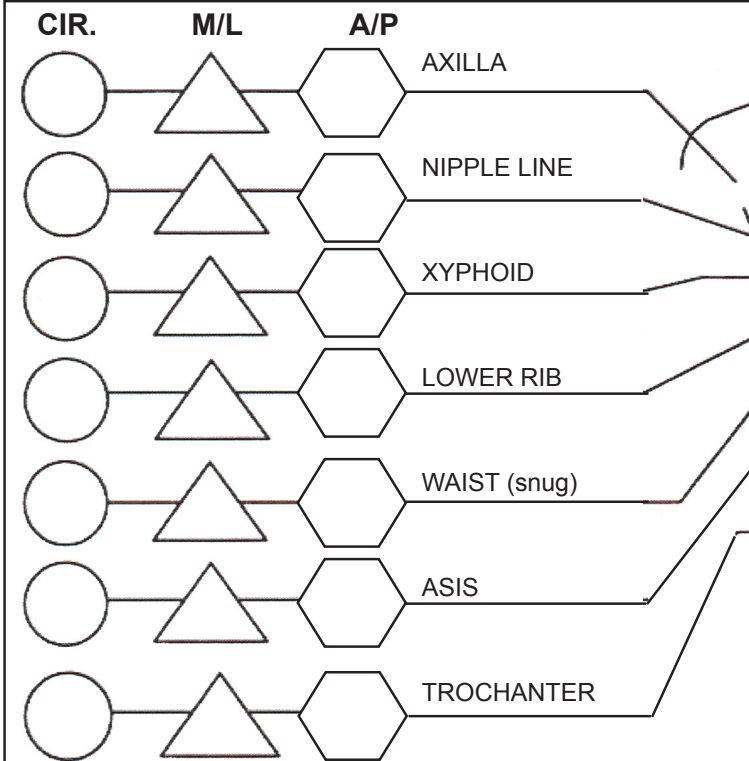
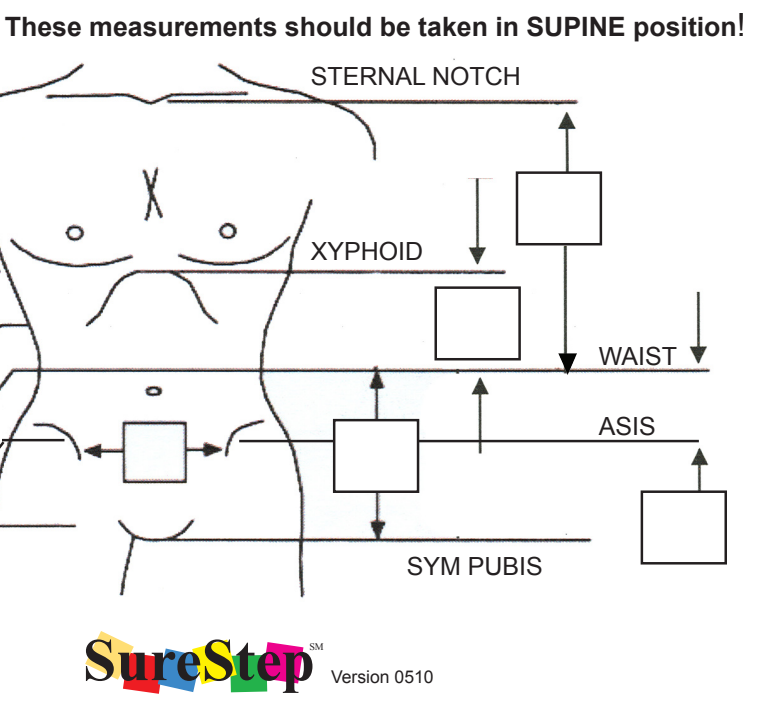
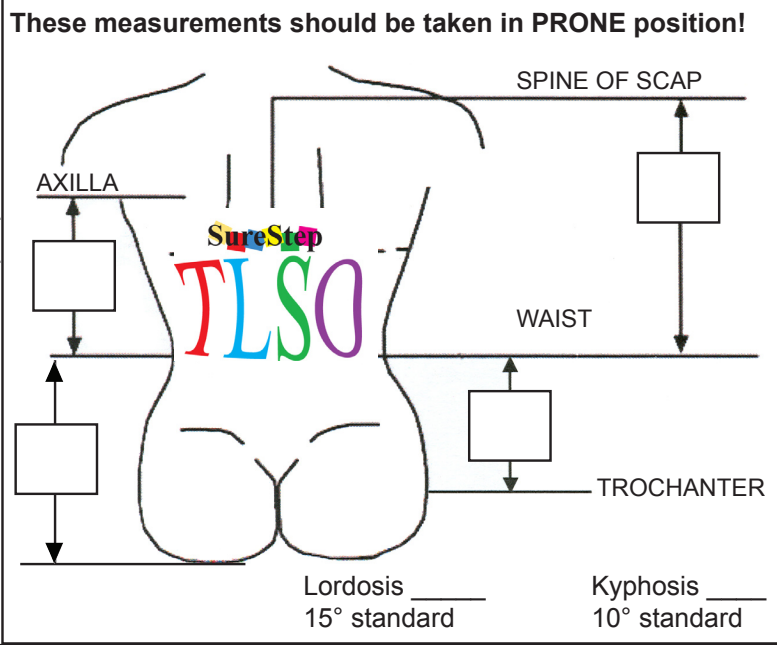
E-MAIL

TURN AROUND: 3 DAYS FROM MEASUREMENTS

4 DAYS FROM CASTS

Pattern Options: (Circle one)

| | | | | |
|----------------------|---------------|---------------|--------|------|
| Solid colors: | White | Blue | Yellow | Pink |
| BabySports2 | Beach | Blossom | | |
| Bugs | Busy Bees | Butterflies | | |
| Brwn. Camo | Construction | Dinosaurs | | |
| Farm Friends | Happy Daisies | Jungle Juggle | | |
| Ocean Life | Pink Camo | Skateboard | | |
| Sports1 | Traffic Soup | | | |



***Do not take measurements in standing or seated positions!**